



VARIABLE TERRAIN STAGE AND RISER SYSTEM

OWNER'S
MANUAL

BEFORE YOU BEGIN...

Read and understand these instructions before operating.

Use caution and care for your back when lifting, pushing, pulling, or folding and unfolding these units. Never lift more than you are able to safely handle.

TOOLS REQUIRED

- 5/16" Allen Wrench

If you have any problems during setup, contact SICO Customer Service at 1-800-424-0796



INTRODUCTION

Note: In this manual:

- "Side" of a stage unit refers to the edges having an 8-ft deck length;
- "End" refers to the edges having 3-ft deck widths.



A Variable Terrain Stage system consists of individual 4x8-ft (122cm x 244cm) stages with individually adjustable legs for indoor and outdoor useage, uneven terrain, over hockey dashers, etc. Steel, zinc-plated frame and legs are suitable for exterior use. Outdoor decks are available.

Bridging decks are installed to span the space between stages. Guardrails and stairs or a ramp are then added to complete the stage.

Setting Up a (Overview)

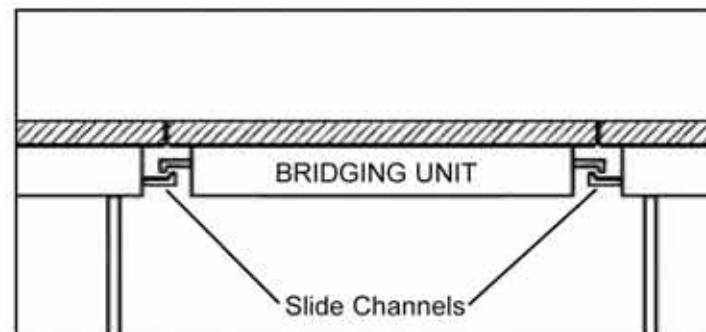
NOTE: These steps are explained in detail on the following pages.

To set up a stage, you will:

1. Unfold and secure individual stages.
2. Install bridging units between stages.
3. Attach and secure Guardrails, Guardrail Covers, stairs or ramp, chairstops and drapes.

Parts of a VT Stage

The **Bridging Unit**, is suspended by slide channels located on both ENDS of the stage deck.

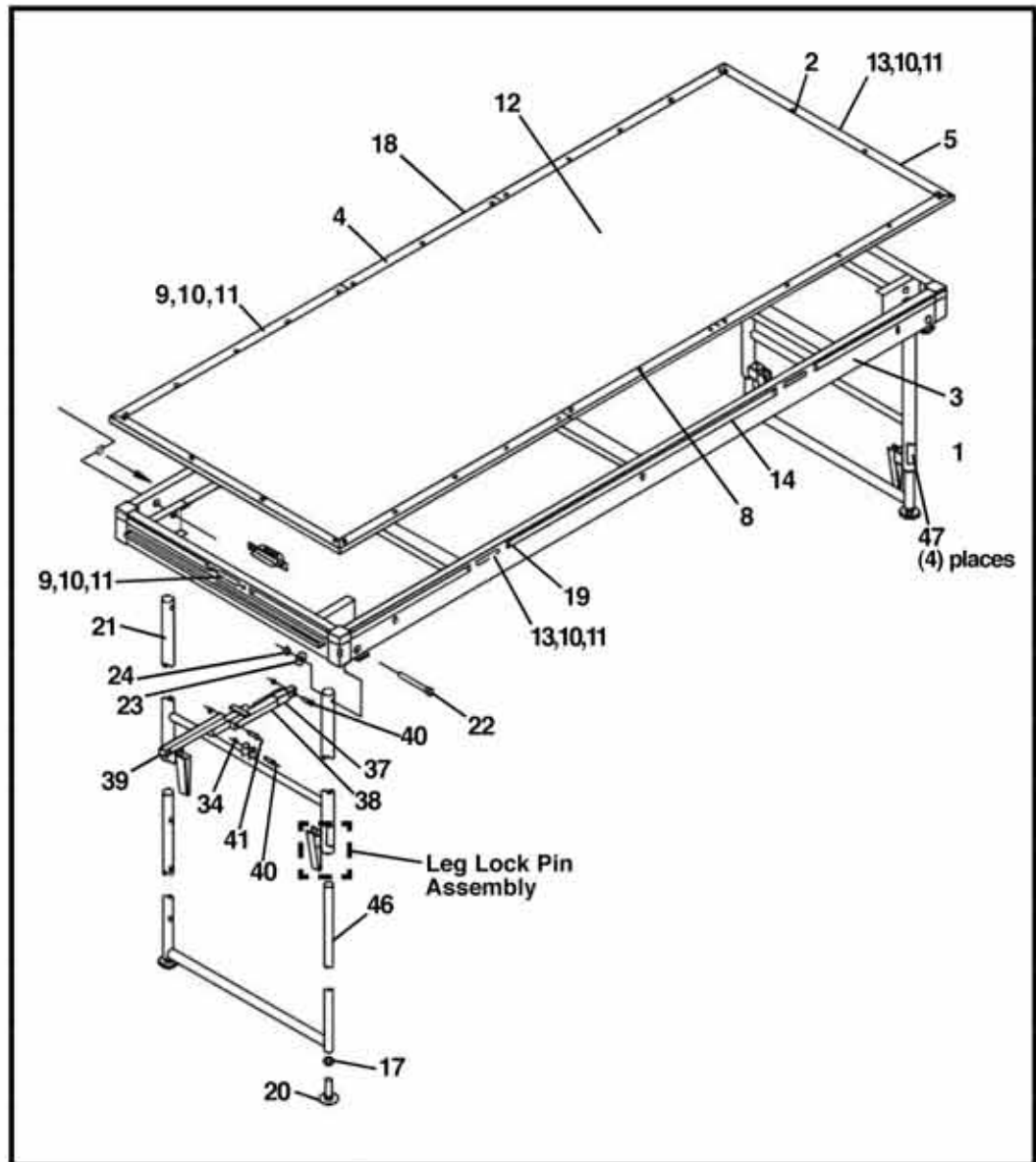


Notes:

Visit our website at www.sicoinc.com

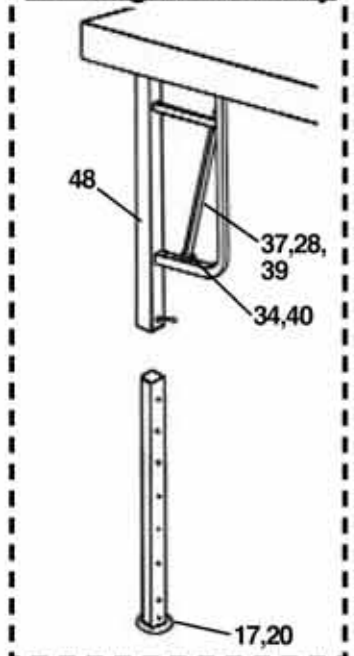
The Americans SICO America Inc. USA In U.S., phone (800) 328-6138 Outside U.S., (952) 941-1700 Fax: (952) 941-6688 E-mail: sales@sicoinc.com	Europe SICO Europe LTD. England Phone [44] (1303) 234000 Fax: [44] (1303) 234001 E-mail: sales@sicoeurope.com	
Spain & Portugal Sistemas SICO S.L. Spain Phone [34] (91) 358-9076 Fax: [34] (91) 358-9264 E-mail: sales@sistemas-sico.com	Australasia & South Africa SICO South Pacific Australia Phone [61] (2) 4388-5100 Fax: [61] (2) 4389-1341 E-mail: sales@sicosp.com.au	
Japan SICO Nippon Co., LTD Japan Phone [81] (3) 3791-2277 Fax: [81] (3) 3791-3300 E-mail: siconpn@apricot.ocn.ne.jp	Asean Countries/ Korea & India SICO Asia PTE LTD. Singapore 118535 Phone [65] 6472-2633 Fax: [65] 6472-2600 E-mail: sales@sicoasia.com	China SICO-SST China Phone [86] (10) 6467-9126 Fax: [86] (10) 6466-4815 E-mail: sales@sico-sst.com

PARTS LIST

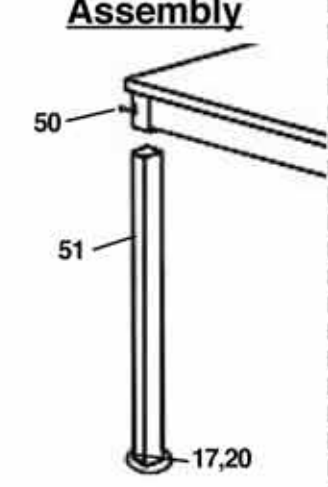


Item No.	Description
1	Screw, Set .38-16x.63
2	Rivet, Alum. blind .188
3	Top Frame Weldment
4	Edge Banding
5	Edge Banding
8	Rivet Drive .25 x .53
9	Weldment, male Rotolock
10	Screw C HH .25-20 x .88
11	Nut Stop .25-20
12	Deck Assembly
13	Weldment, female Rotolock
14	Velcro Hook 1.00
17	Nut Jam .75-10
18	Serial Plate
19	Rivet, Blind .188
20	Glide 6 in.
21	Weldment, Upper Leg
22	Screw C HH .50 x 5.00
23	Washer, Flat .56 x 1.38
24	Nut Stop .50-13
25	Handle
26	Screw C SH #10-24x1.25
27	Nut Lock #10-24
28	Pin Lock
29	Spring Pin .13 x 1.13
30	Spring Compression
34	Nut Stop .38-24
37	Weld Leg Brace Sleeve
38	Brace Upper Leg
39	Weld Brace Lower Leg
40	Screw C HH .38-24 x 2.00
41	Screw C HH .38-24 x 2.50
46	Weld Lower Leg
47	Stage Label
48	Upper VT Leg Weldment
49	Lower VT Leg Weldment
50	Set Screw
51	Insertable leg

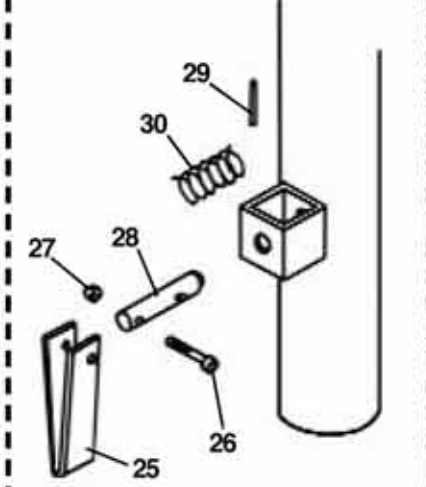
VT Leg Assembly



Insertable Leg Assembly



Leg Lock Pin Assembly



DIFFERENT STAGE LEGS

H-Leg Units set up fast. These stage units have adjustable glides for uneven floors, and are available in 4-ft x 8-ft (122cm x 244cm) and 3-ft x 8-ft (92cm x 244cm)

To operate leg:

1. Rotate the H-Leg out from the stage deck.
2. Adjust stage height (if needed). To change stage height:
 - a. Rotate leg locks as shown to unlock the leg.
 - b. Slide bottom half of the leg in or out of the upper half of the leg.
 - c. Rotate the leg lock as shown to lock the leg at the desired height.

⚠ WARNING

Engage leg adjustment pins at all times.

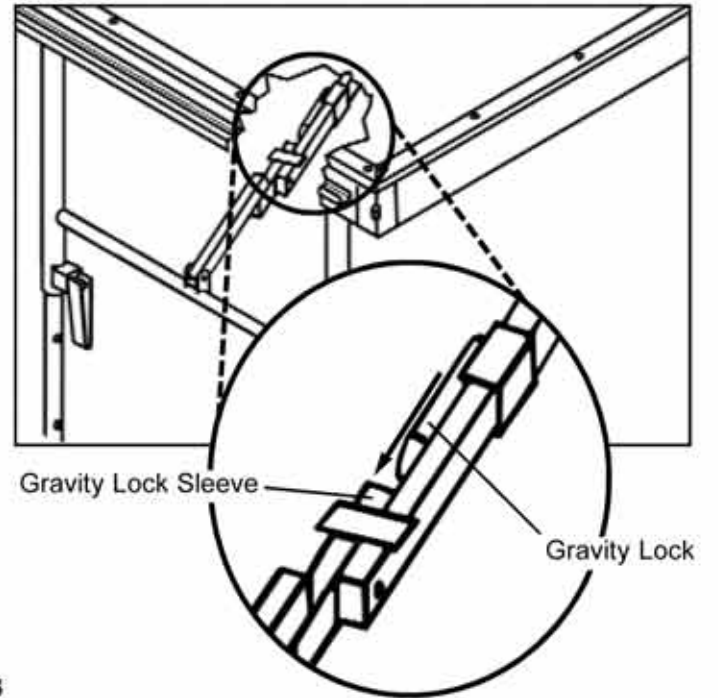
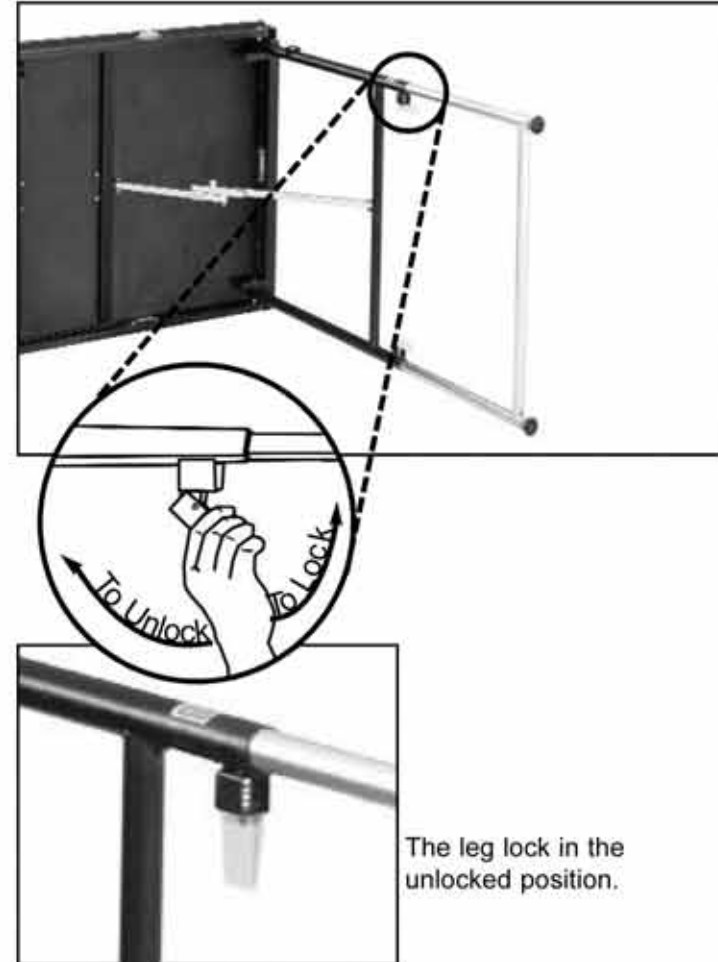
Failure to use locks will allow platform to drop and can cause serious injury.

108234

NOTE: Make sure gravity lock is engaged when the stage is tilted onto the stage legs.

Operating the Gravity Lock:

- To lock the leg brace with the gravity lock:
1. Turn the stage unit upright.
 2. Locate the gravity lock on the stage leg brace.
 3. If the gravity lock is not already into position, slide the lock down into the gravity lock sleeve.



Different Stage Legs (continued)

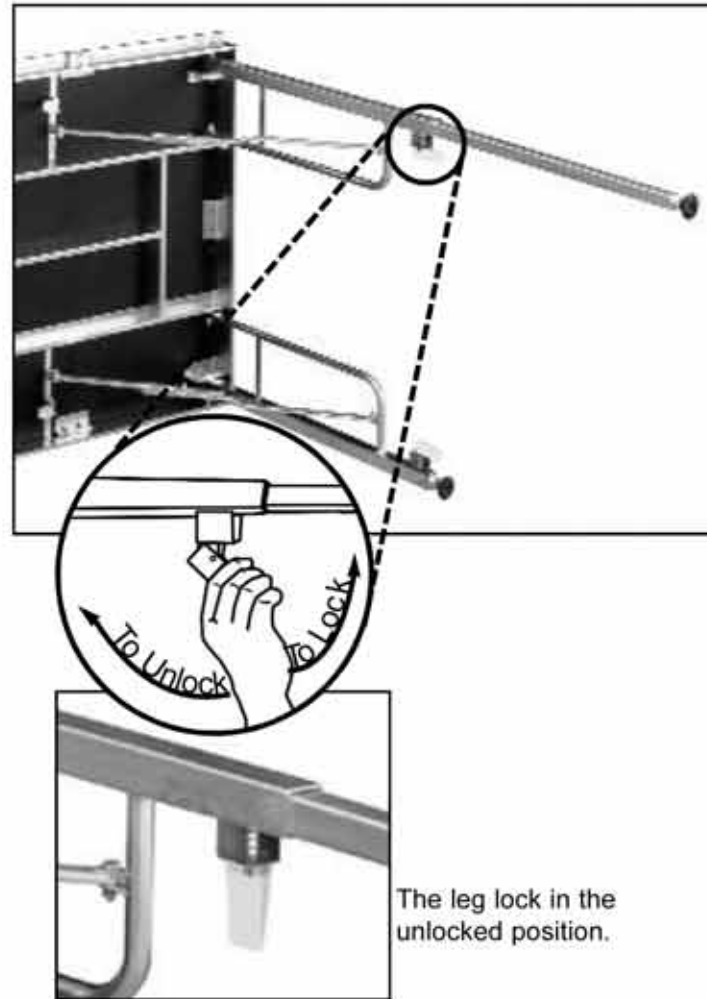
Variable Terrain Units are 4' x 8' (122cm x 244cm) with individually adjustable legs for indoor-outdoor use, uneven terrain, over hockey dashers, etc. Zinc-plated frame and legs for exterior use.

To Operate Leg:

1. Rotate the H-Leg out from the stage deck.
2. Adjust stage height (if needed). To change stage height:
 - a. Rotate leg locks as shown to unlock the leg.
 - b. Slide bottom half of the leg in or out of the upper half of the leg.
 - c. Rotate the leg lock as shown to lock the leg at the desired height.

⚠ WARNING
Engage leg adjustment pins at all times.
Failure to use locks will allow platform to drop and can cause serious injury.
108234

NOTE: Make sure the leg brace lock is engaged when the stage is tilted onto the stage legs.



MAINTENANCE

Lubricate screw threads with Amsoil heavy duty purple Lithium Moly grease.

All pivot points on stage frame should receive a drop or two of oil periodically.

All sliding tubular surfaces should be wiped and cleaned and then have a light film of oil applied.

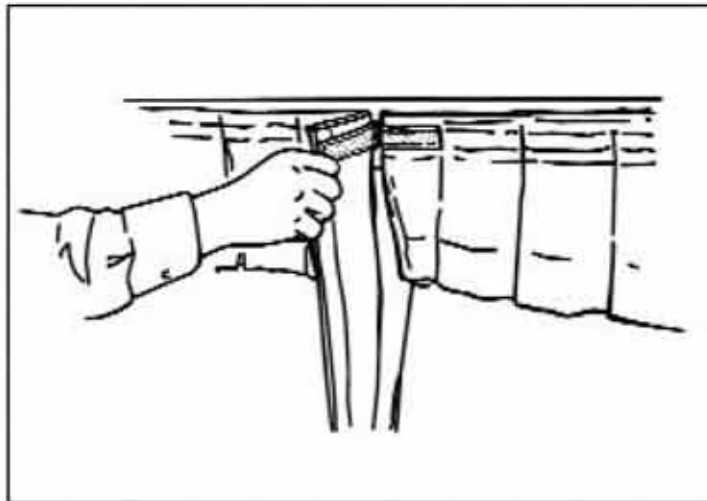
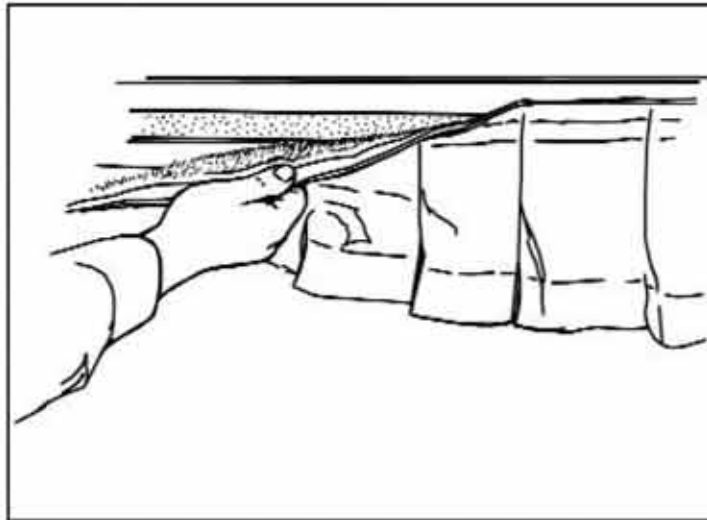
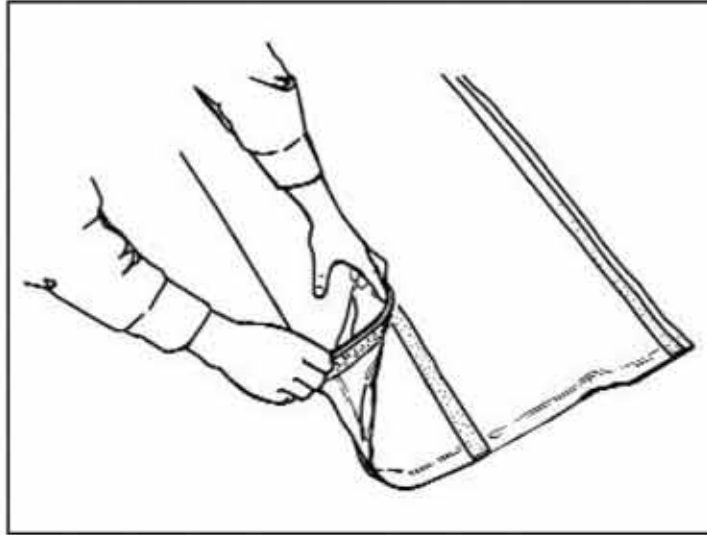
On Tuffdeck, a damp mop and soapy water will work fine. Don't let water stand on decks.

Scratch marks may be painted.

ATTACHING CLOSURE DRAPERY

1. Adjust the drapery length to match the stage height. The hook Velcro® strip on the bottom of the drapes can be aligned with the loop Velcro strips spaced at 6-inch intervals on the back of the drape.
2. Attach the drape to the Velcro on the stage deck.
3. Install additional drapery sections in the same way.

Overlap adjacent sections as shown in the lower illustration.



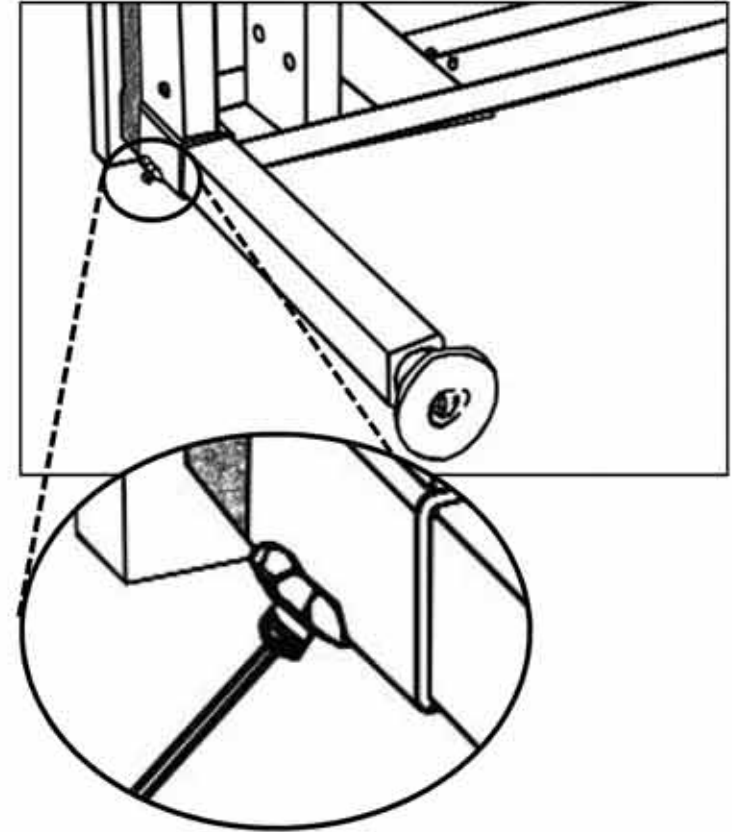
Different Stage Legs (continued)

Insertable Legs of 8-in, 12-in, 16-in and 24-in (20cm, 41cm, and 61cm) option for either tall leg units or bridge units.



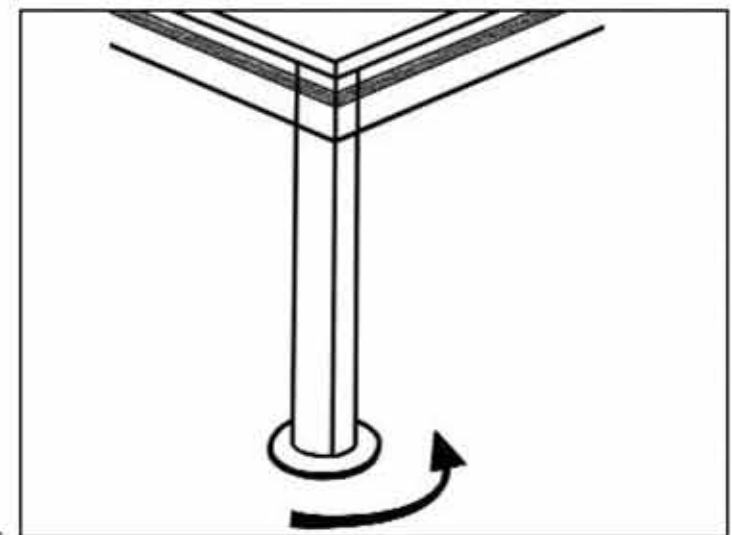
To Install the Stage Leg:

1. Insert leg into corner holder (bracket)
2. Tighten the set screw with an allen wrench to lock leg in place



Operating the Adjustable Glide:

1. Locate the glide located at the bottom end of the stage leg.
2. Rotate the glide as shown to lower the glide until the stage is level with the floor or ground.



SETTING UP THE FIRST ROW OF STAGES

Note: The instructions on the following pages are shown using the H-Leg Stage Units. See "Different Stage Legs" on pages 3-5 to set-up the stage legs on the stages you are using.

1. If using the VT Caddy, pull the VT Caddy into the area where the stage will be set up.
2. Operate the stage legs as shown on pages 3-5.

Important: Be sure the leg-locks are engaged before turning the stages upright.

⚠ WARNING
Engage leg adjustment pins at all times.
Failure to use locks will allow platform to drop and can cause serious injury.

108234

4. Rotate the stage unit off the caddy (if a caddy is being used) and set the stage unit on all four legs.



Attaching a Stairway (continued)

5. Tighten the yellow clamping knobs on either side of the stage to lock in the stair.

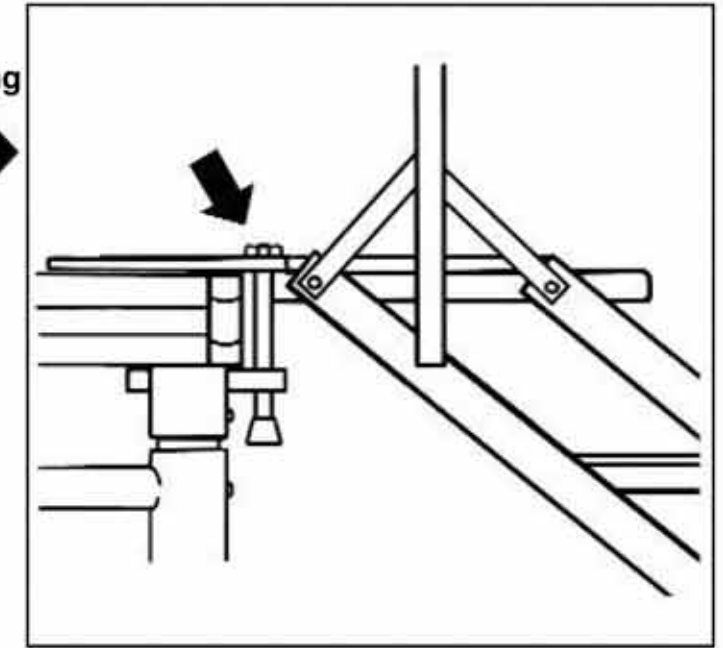
IMPORTANT: Be sure the bottom side of the clamp is tight against the bottom of the step.

Both sides of the step must be properly secured to the stage to prevent the steps from moving away from the stage.

⚠ WARNING
Lock stairway to platform to avoid movement.
Failure to do so could result in serious injury.



Yellow Clamping Knobs



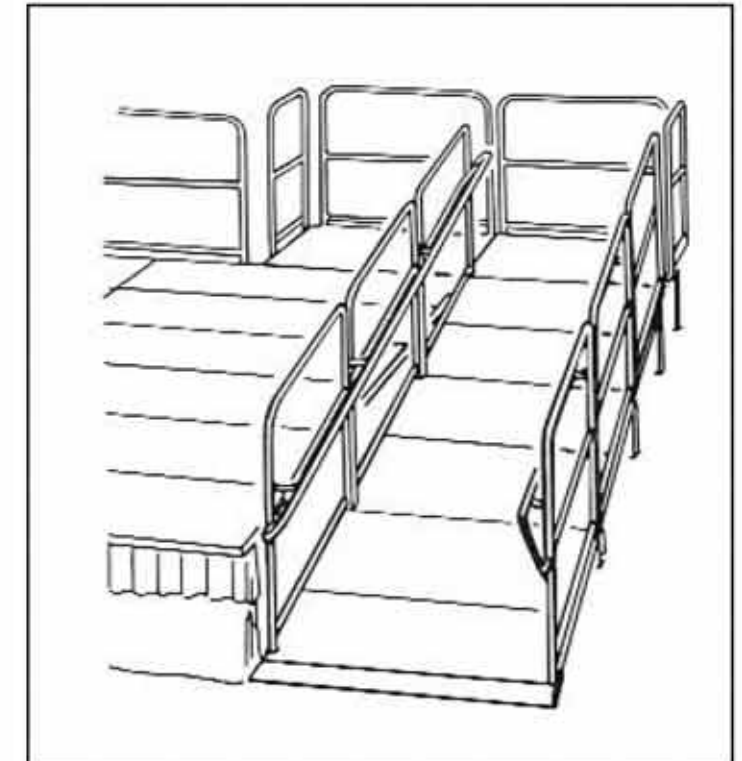
ATTACHING A RAMP

NOTE: SICO ramps are provided in 8-ft sections with an incline of one inch per foot.

Detailed instructions for attaching a ramp to the Venue Maker Stage are shipped with the ramp.

Follow those instructions and abide by all local, state and federal regulations regarding ramp design.

The same instructions include information on installing SICO ramp guardrails, which are designed for use by those in wheelchairs.

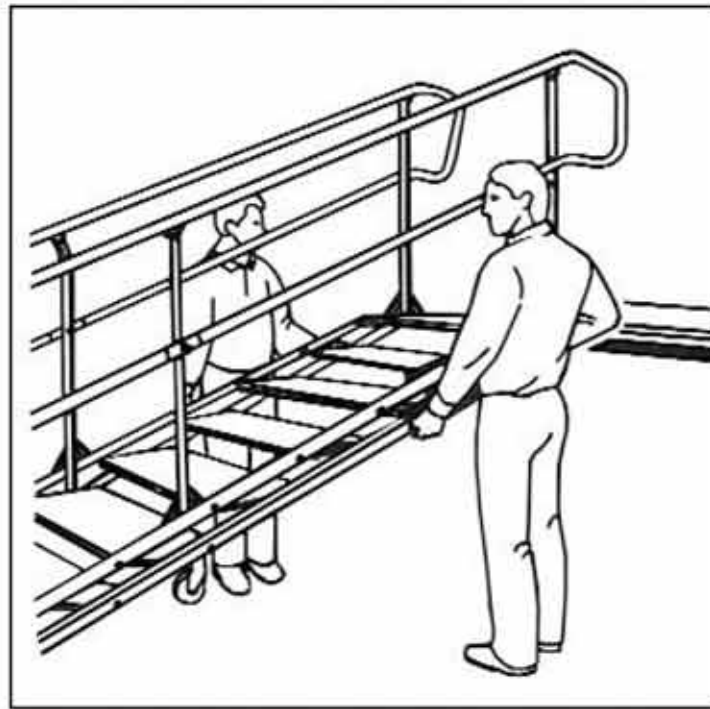


ATTACHING A STAIRWAY

Detailed instructions for attaching a stair unit to the Venue Maker Stage are shipped with the stairs.

NOTE: Stairways are available in 2-rise to 9-rise models.

1. To adjust the stairway height so the top step matches the height of the stage. Raise and lower the unit to the desired height.
2. Roll the stairway into its approximate final position.
3. Lift the stairway and move it up to the stage. The upper support clamps on the front of the deck. The top step must rest flat on top of the deck.

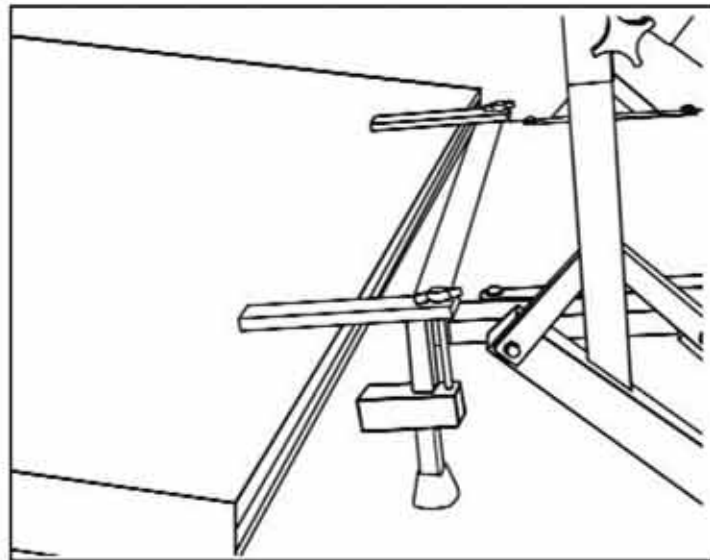


IMPORTANT: If the steps are not level with the stage (as shown at right), the steps will need to be made level.

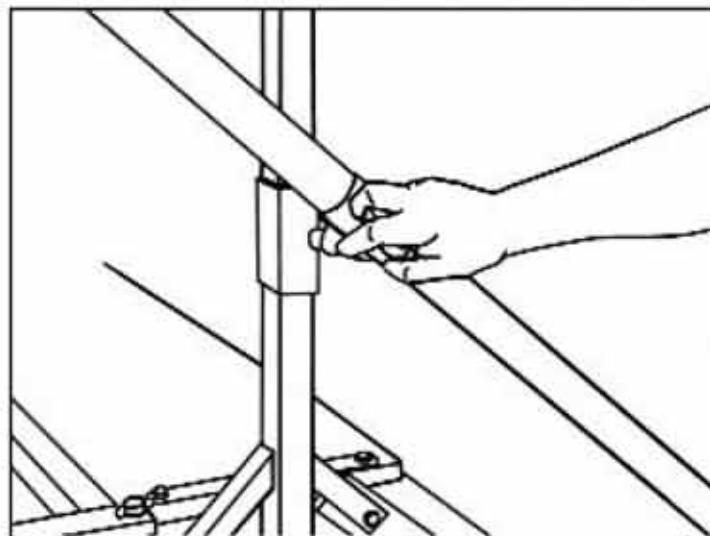
To level the step unit:

- a. Loosen the guardrail hand knobs located on both sides of the steps.
- b. Grasp the guardrail and push the guardrail hoop forward or back as required to make the step level and the posts vertical.

When properly adjusted, the step supports will fully rest on the deck.



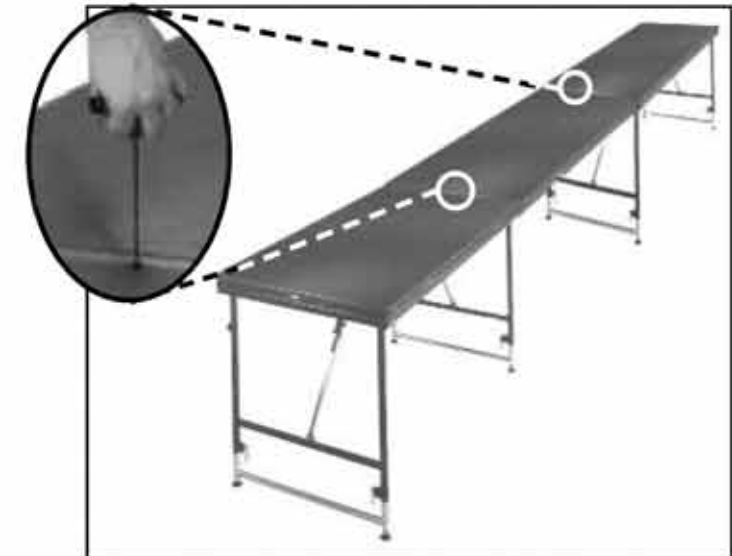
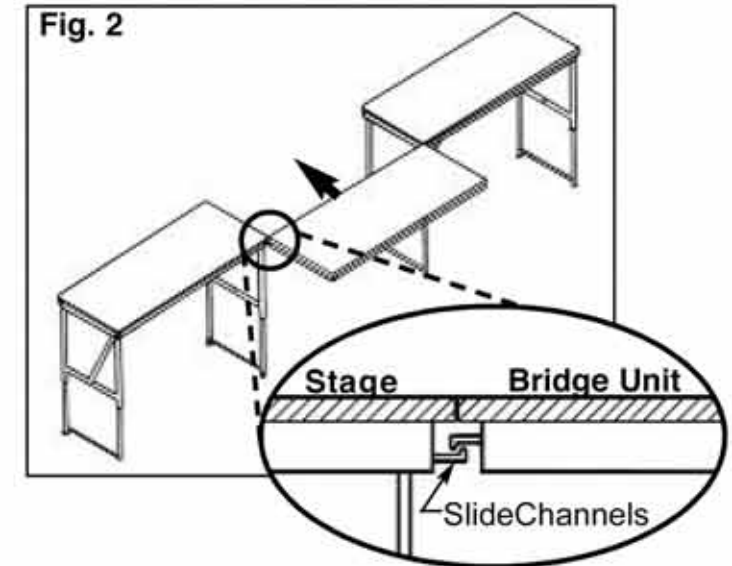
4. Turn the yellow clamping knob to secure the steps to the stage.



Setting Up the First Row of Stages (continued)

Setting up the Bridging Deck:

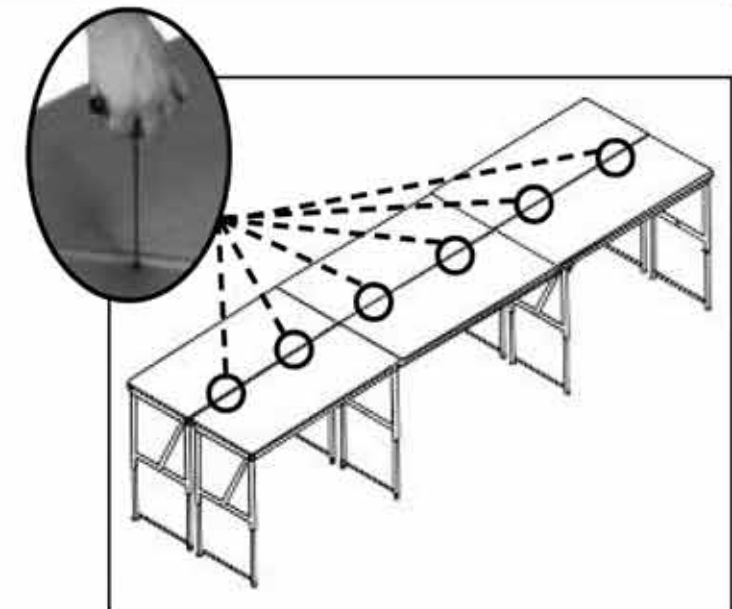
1. Set up the second stage eight feet (8-ft) from the first stage.
2. Position the Bridge Unit at the same level as the two stages.
3. Slide the Bridging Unit between the two stages with the slide channels of the Bridging Unit on top of the slide channels of the two stages. (Fig. 2)
4. Tighten Roto-Locks located at the ends of stages using the 5/16" Allen wrench.



POSITIONING ADJOINING ROW OF STAGES:

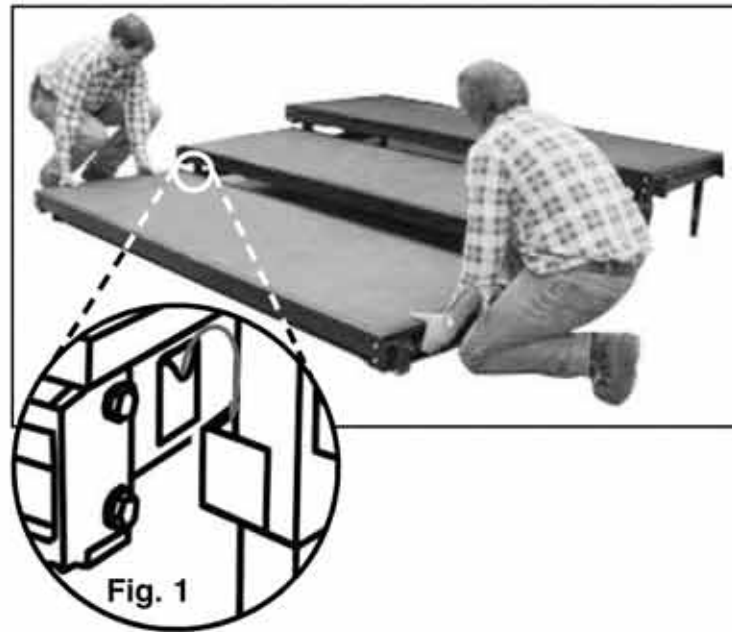
If using a riser configuration, refer page 8 for Positioning Adjoining Row for Riser Configuration. Refer to page 6 to set up the first row of stages.

1. Position a stage alongside the first stage unit.
2. Position another stage eight feet (8-ft) from the the stage just placed.
3. Slide the Bridging Unit between the two stages with the slide channels of the Bridging Unit on top of the slide channels of the two stages (see Fig. 2 from Setting Up the Bridging Deck..
4. Tighten the Roto-Locks located on the side of the stage units and bridging units using the 5/16" Allen wrench.

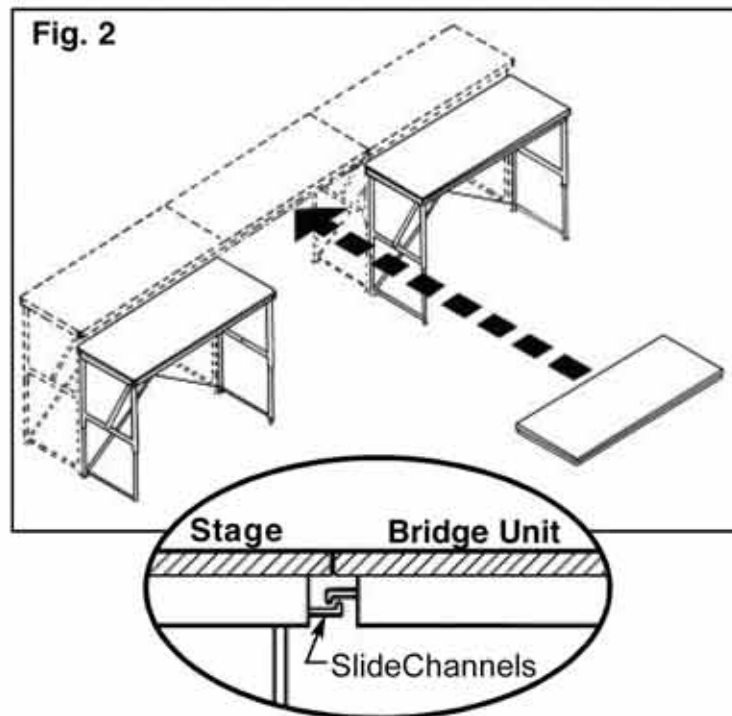


POSITIONING ADJOINING ROW FOR RISER CONFIGURATION:

1. Position a stage alongside the first stage unit.
2. Insert the pointed hook on the side of the stage into the u-shaped bracket of the first stage. (Fig. 1)
3. Position another stage 8-ft (eight feet) from the stage just placed.
4. Insert the pointed hook on the side of the stage into the u-shaped bracket of the second stage. (Fig. 1)



5. Position a Bridging Unit at the same level as the two stages just placed.
6. Slide the Bridging Unit into the 8-ft (eight feet) gap between the two stages with the Slide Channel of the Bridging Units on top of the Slide channel on the two Stages. (Fig. 2)
7. Tighten Roto-Locks using the 5/16" Allen wrench on the ends.

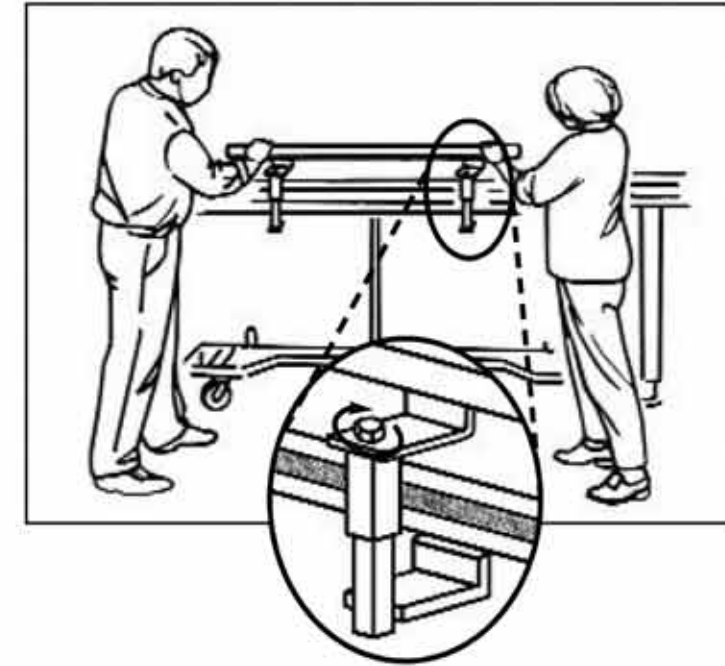


ATTACHING CHAIR STOPS

Chair stops are available to fit the stages you are using. They prevent chairs from slipping over the edge of the stage and ultimately prevents serious injury.

To attach the chair stop to the stage:

1. Lift the chair stop to the stage.
Make sure the rail and clamp face towards the stage.
2. Tighten the bolts located at the top of the clamps. The clamp should be tight against the frame of the stage.



ATTACHING VT GUARD RAILS

⚠ WARNING

Attach guard rails to stage platform to avoid falls. Failure to do so could result in injury.



Use platform guardrails in all Venue Maker setups. These rails are available in 3-, 4-, 6-, and 8-ft versions.

NOTE: Instructions on installing ramp guard rails are shipped with the ramp. Flat sections of ramps use the standard platform guardrails shown here.

1. Lift the rail into place so that the top bracket fits snug against the stage deck edge.
2. Slide the bottom brackets and supports up to fit snug under and around the stage frame.
3. Tighten the set screws to secure the guardrail to the deck.

