

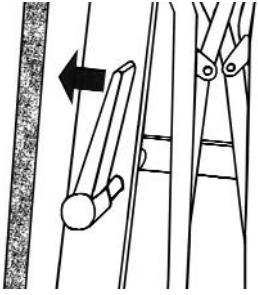


SICO AMERICA INC.
7525 Cahill Road
Minneapolis, MN 55439, USA
Customer Service: 1-800-424-0796
Website: www.sicoinc.com

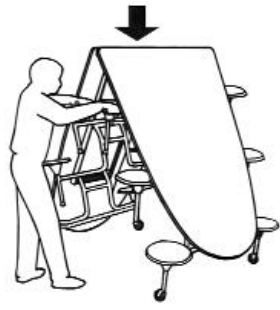
12-SEAT TC-65 COMMUNICATOR TABLE

Operating Instructions and Parts List

TO OPEN



1 Press transport lock towards table top. Grasp middle stools, force outward.

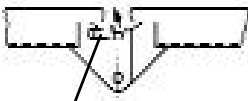


2 As table starts to open, push stools downward toward floor.



3 Retain grip on stools, ease table down. Align in position before table legs reach floor.

TO FOLD



Center Lock Arm



1 Raise center lock arm and hold against table top. Grasp a stool and lift table slightly.



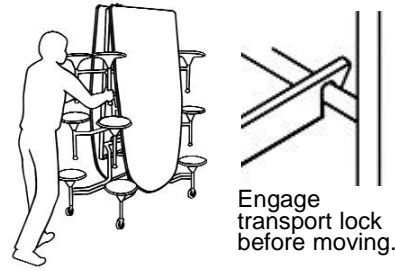
2 Grasp two stools at center of table. Lifting with your legs, raise table with continuous upward motion.

3 To close, grasp edges of stools and pull toward center. Make sure transport lock is engaged.

⚠ WARNING

To be moved and operated only by an adult. Before moving, engage the transport lock on cross tube to prevent tipping. Failure to follow warnings may result in serious injury or death.

TO MOVE



Engage transport lock before moving.

⚠ WARNING

To avoid table tipping over, push from end of table. DO NOT push from side. Avoid debris on floor.

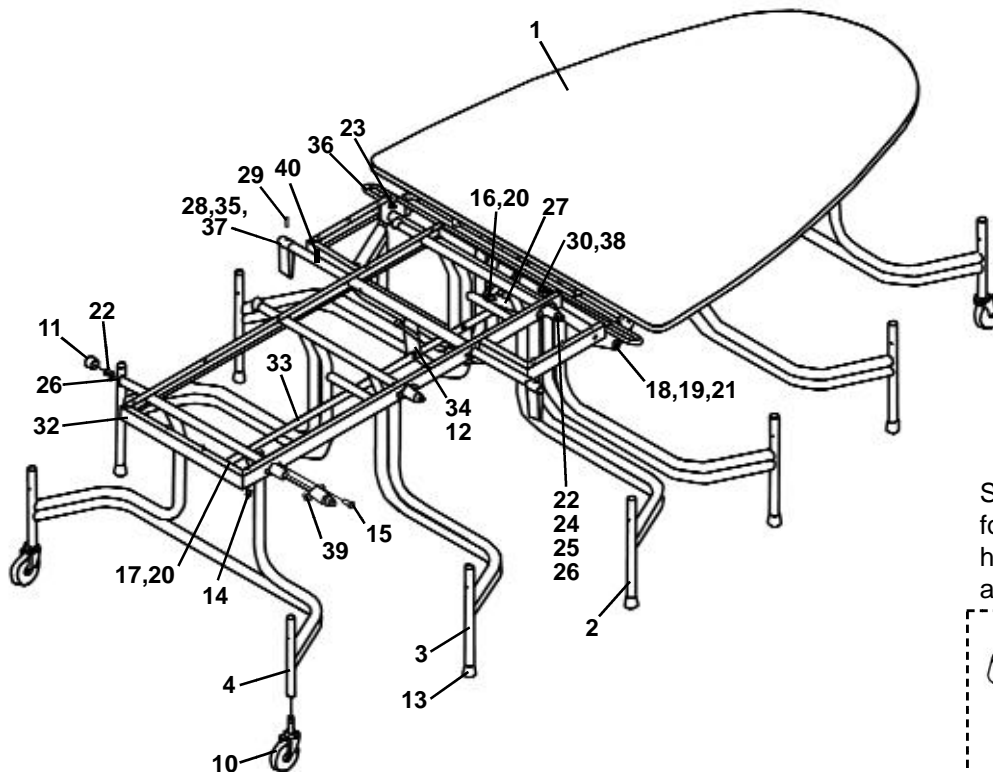
ITEM DESCRIPTION

- 1 Half oval top
- 2 Leg weldment, center
- 3 Leg weldment, middle
- 4 Leg weldment, end
- 10 Caster, swivel, 4"
- 11 Glide, cap 1" round
- 12 Tube cap, .38 round
- 13 Glide, cap 1" round
- 14 Rivet, drive, .25" x .38"
- 15 Screw, C HH.38-24 x 1"
- 16 Screw, C HH 3/8-24" x 1-1/4"
- 17 Screw, C HH 1/2-13 x 1-1/2"
- 18 Screw, C HH .1/2-13 x 1"
- 19 Mach. bushing .88 x .53
- 20 Nut stop .38-24
- 21 Nut stop thin .50-13
- 22 Nut push .38x.75 OD
- 23 Nut push washer 1/2"
- 24 Torsion bar
- 25 End flange
- 26 Nut push washer 3/8"
- 27 X Bar
- 28 Lock Handle
- 29 Spring pin .M6x30
- 30 Nut stop thin .38-16
- 32 Top Frame Weldment
- 33 Tension bar
- 34 Latch weldment
- 35 Cross Piece
- 36 Lock Arm
- 37 Snap button
- 38 Screw, shosh .38-16x1.00
- 40 Spring Pin
- 50 Stool
- 51 Self-locking Pin

MAINTENANCE: Oil pivot points every six months. Wash tops with soap and water.

When Ordering:

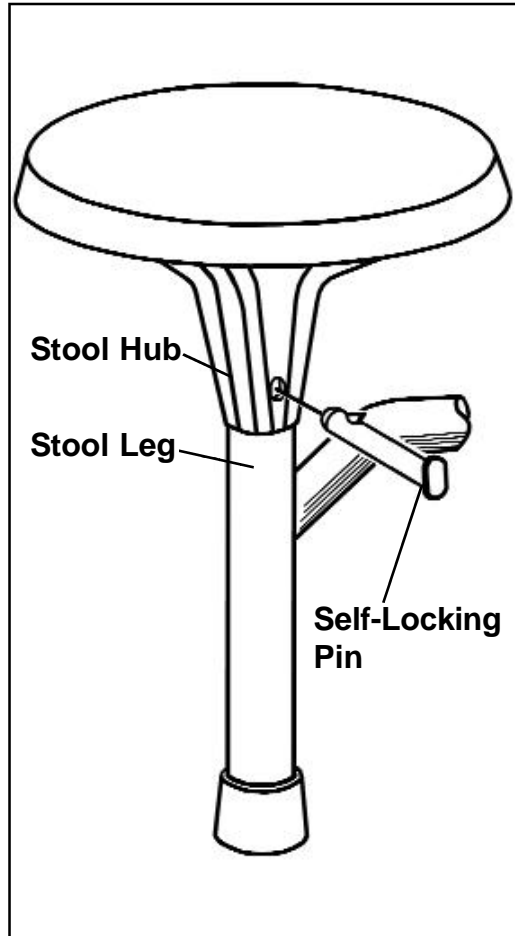
All Parts. Indicate table Serial No.
Tops. Indicate color, size
Legs. Indicate table height.
For parts or pricing, contact your local dealer or SICO Customer Service.



See reverse side for instructions on how to install stools and transport lock.



TC-65 Stool Installation Instructions



1. Slide the stool over the top of the stool leg.
2. Align the holes in the stool hub with the holes in the stool leg.
3. Orient the Self-Locking Pin with the detent facing up and slide it through the holes of the stool and stool leg until detent activates. The sides of the pin heads should fit between the ribs of the stool hub.

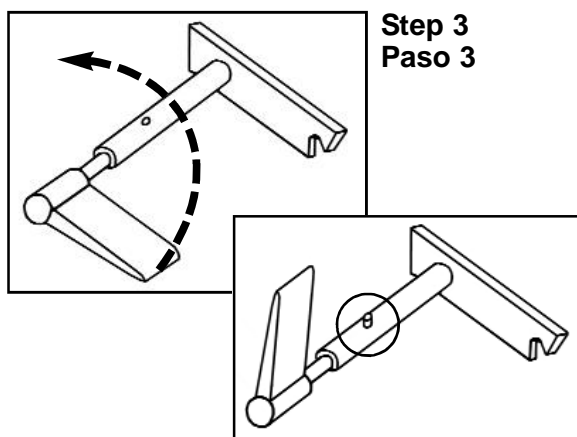
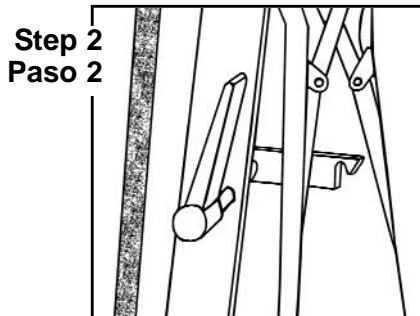
CAUTION: Self-Locking pin must be installed to prevent excess wear on stool.

Instrucciones de Instalación del Banco TC-65

1. Deslice el banco sobre la parte superior de la pata.
2. Alínie los orificios que se encuentran en el cubo del banco con los orificios de la pata.
3. Oriente el perno de Uno mismo-Fijacio'n (# 19) con los revestimientos de la muesca para arriba y resbálo a través de los agujeros del taburete y de la pierna del taburete hasta que la muesca activa.

PRECAUCIÓN: La Uno mismo-Fijacio'n del perno se debe instalar para prevenir exceso de desgaste en taburete.

TRANSPORT LOCK INSTALLATION INSTRUCTIONS **INSTRUCCIONES DE INSTALACIÓN DEL SEGURO DE TRANSPORTE**



The transport lock has been disengaged for ease of shipping. It must be reactivated before the table is used.

1. Open table slightly.
2. Locate the transport lock handle at the side of the table.
3. Turn the handle up towards the top of the table. The spring pin on the lock bar will "click" into position as you turn the handle.

El seguro de transporte no viene colocado a fin de facilitar el envío. Debe colocarse de nuevo antes de utilizar la mesa.

1. Abra la mesa unos centímetros.
2. Ubique la manija del seguro de transporte en uno de los lados de la mesa.
3. Levante la manija hacia la parte superior de la mesa. El pasador de resorte que se encuentra en la barra del seguro hará un "clic" al colocarse en posición correcta al girar la manija.

⚠ WARNING

Transport lock must be installed properly before table is moved. Failure to do so could cause table to tip, and serious injury or death could result.

⚠ ADVERTENCIA

El seguro de transporte debe instalarse correctamente antes de mover la mesa. De lo contrario, la mesa podría caerse o provocar lesiones graves o fatales a las personas que la manipulen.