

## OPERATING INSTRUCTIONS FOR SICO TABLE SEATING UNITS.

Be sure you read and understand the following instructions before using this Table Seating Unit. Failure to heed these instructions, and those contained in the yellow warning notice and operator training video may cause the unit to tip over resulting in serious personal injury.

Further copies of the yellow warning notice, this operating instruction and video are available on request.



**Sico Europe Limited**  
 The Link Park,  
 Lympne Industrial Estate,  
 Lympne, Kent CT21 4LR, England  
 Tel: +44 (0) 1303 234000  
**FREEPHONE: (UK only) 0800 085 8186**  
 Fax: +44 (0) 1303 234001  
 e-mail: sales@sico-europe.com  
 www.sico-europe.com

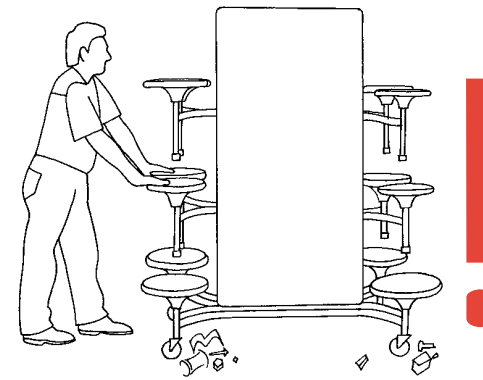
### MOVING THE TABLE SEATING UNIT



PUSH FROM END OF TABLE WITH TRANSIT LOCK ENGAGED.

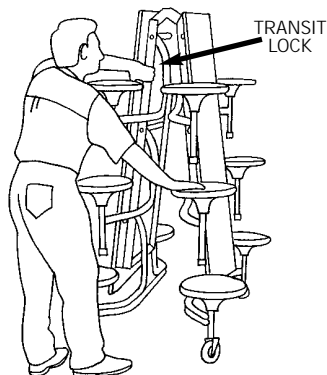


DO NOT PUSH FROM SIDE AS TABLE MAY TIP OVER.

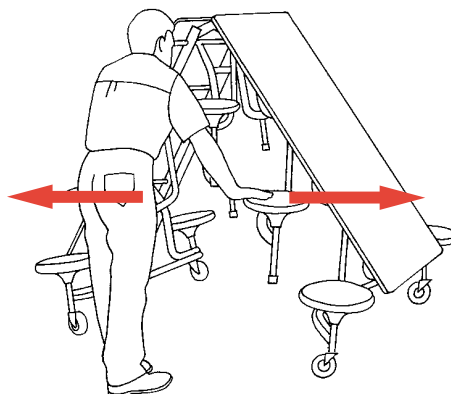


AVOID DEBRIS ON FLOOR.

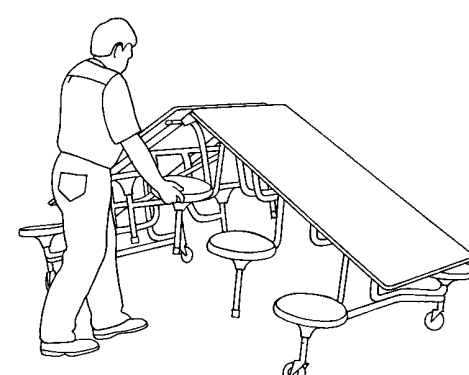
### OPENING THE TABLE SEATING UNIT



RELEASE TRANSIT LOCK AND DISENGAGE, THEN GRASP TWO STOOLS ON OPPOSITE SIDES OF THE TABLE.

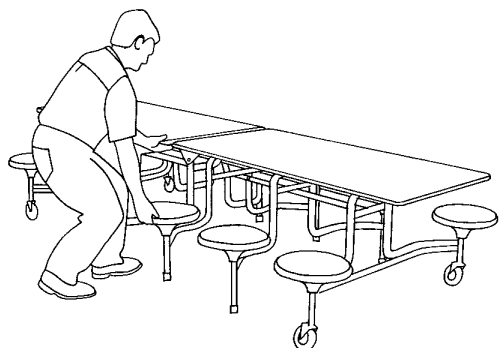


CONTINUE TO OPEN UNIT USING STOOLS AS HANDLES.

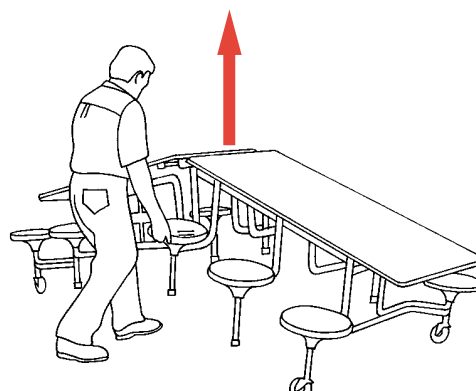


CHANGING GRIP TO BOTH CENTRE STOOLS, EASE TABLE DOWN INTO POSITION.

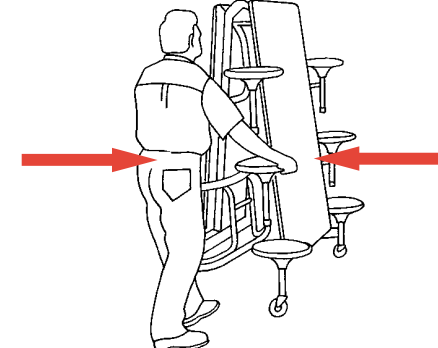
### CLOSING THE TABLE SEATING UNIT



DISENGAGE CENTRE LOCK AND LIFT TABLE USING STOOL AS HANDLE.



CONTINUE TO LIFT USING CENTRE STOOLS.



GRASP BOTH MIDDLE STOOLS AND PUSH TOGETHER TO ENGAGE LOCK.

MAINTENANCE CONTRACTS AVAILABLE! TELEPHONE + 44 (0) 1303 234000 FOR DETAILS  
 or email: service@sico-europe.com

106801-GB 05/04